

**NEWNEX PROPRIETARY**

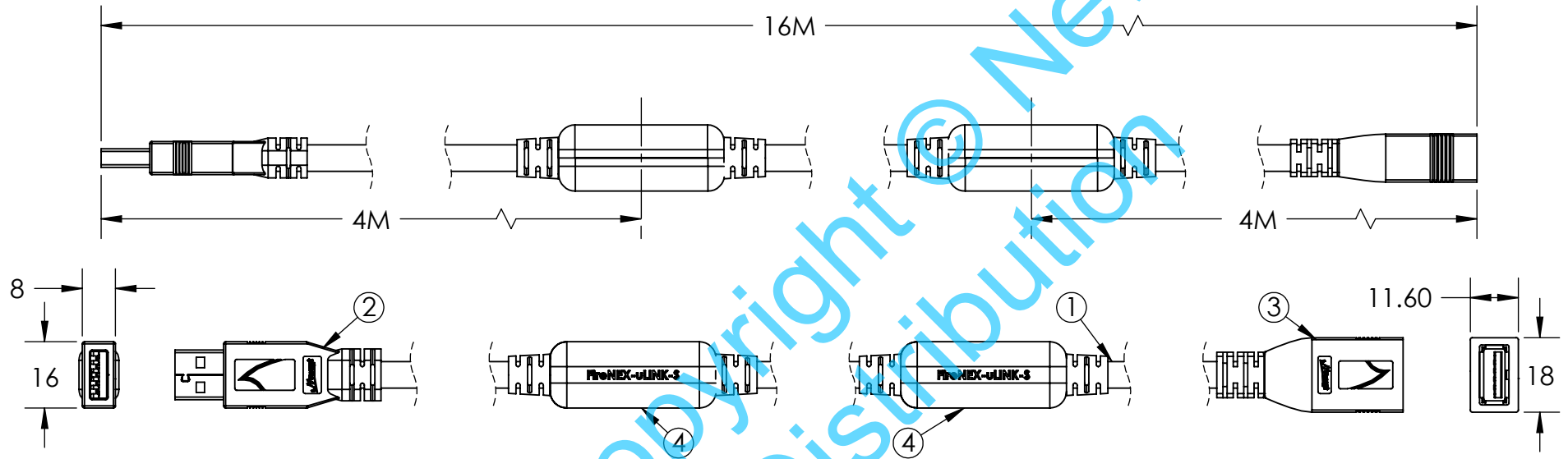
THIS DOCUMENT AND THE DATA DISCLOSED HEREIN OR WITHIN IS NOT TO BE REPRODUCED, USED, OR DISCLOSED IN WHOLE OR PART TO ANYONE WITHOUT THE WRITTEN PERMISSION OF NEWNEX

**COMPANY NAME**

**CUSTOMER SIGNATURE**

**DATE**

**COMMENTS:**



**WIRING STRUCTURE**

P1	SINGAL	P2
1	PWR	1
2	D-	2
3	D+	3
4	GND	4
5	SDP1-	5
6	SDP1+	6
7	DRAIN	7
8	SDP2-	8
9	SDP2+	9
SHELL	BRAID	SHELL

**Notes:**

1. Cable: USB 3.0 Black PVC Jacket.
2. Connector: USB 3.0 A Male.
3. Connector: USB 3.0 A Female.
4. Repeater Unit

Newnex Technology Corp.



UNLESS OTHERWISE SPECIFIED DIMENSIONS ARE IN MILLIMETERS TOLERANCES ARE:

FRACTIONS DECIMALS ANGLES  
 • NA XX ± 0.5  
 XXX ± 0.25  
 XXX ± 0.125

PROJ:   
 SCALE: 2:3  
 REV: A  
 DATE: 02/01/2018

TITLE: FireNEX-uLINK USB 3.0 Active Repeater Cable, A Male to A Female, 16 Meters, Slim Repeater, Black.

DRAWN BY: XW	APPROVED BY: ZL
CHECKED BY:	
PART NUMBER: FIRENEXAMAF16M	SHEET 1 OF 1

REVISION COMMENTS:  
 Drawing generated

- \*100% OPEN, SHORT, MISWIRE TESTING
- \*RoHS compliant product
- \*Both shell clam and copper foil have 360 degree contact with braiding