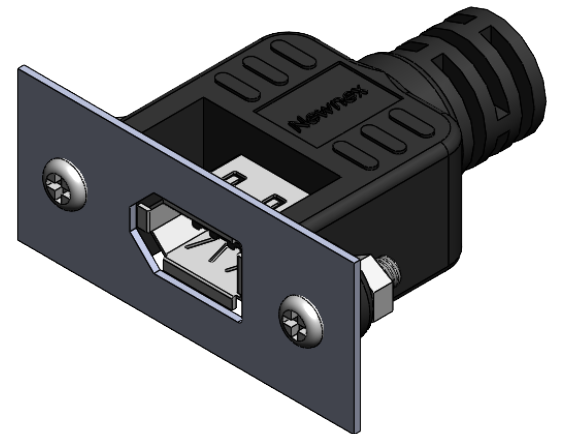
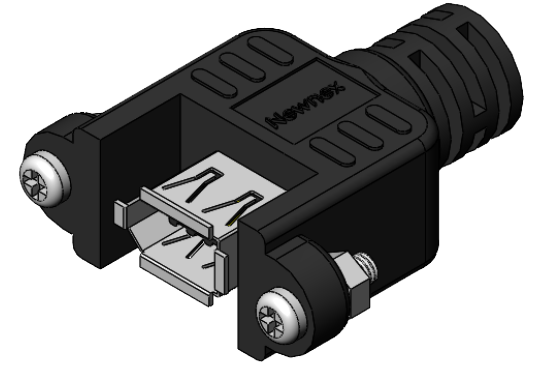
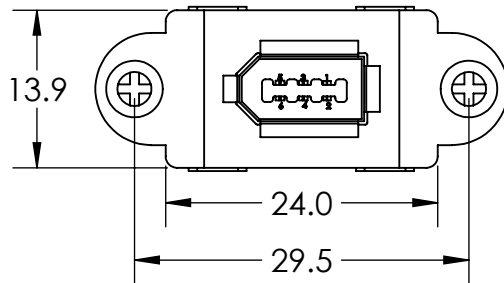
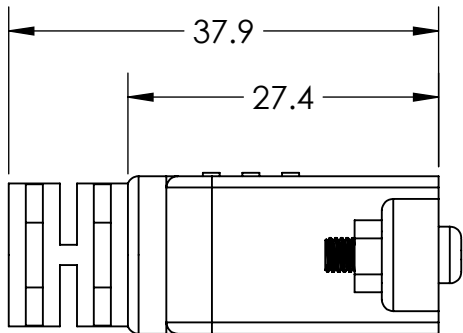
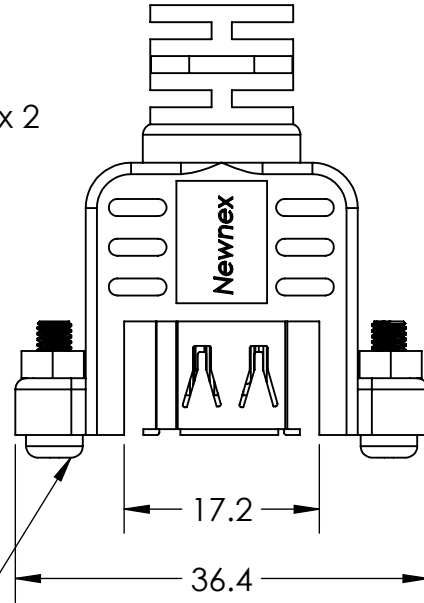
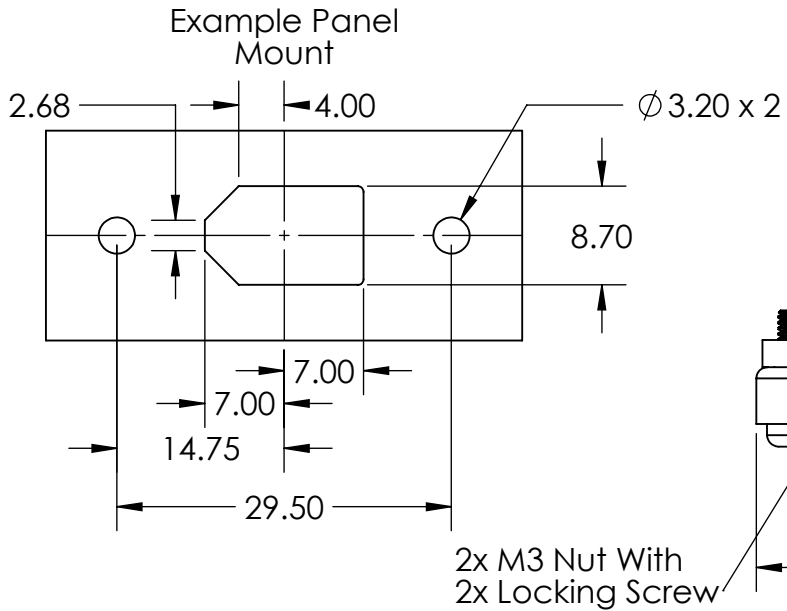


NEWNEX PROPRIETARY

THIS DOCUMENT AND THE DATA DISCLOSED HEREIN OR WITHIN IS NOT TO BE REPRODUCED, USED, OR DISCLOSED IN WHOLE OR PART TO ANYONE WITHOUT THE WRITTEN PERMISSION OF NEWNEX

PN: CFR-6



CFR-6 Connector with Example Panel Mount

Newnex Technology Corp.



UNLESS OTHERWISE SPECIFIED DIMENSIONS ARE IN MILLIMETERS TOLERANCES ARE:

FRACTIONS DECIMALS ANGLES
± NA X± 0.2 ± 0.5
XX± 0.1 XX± 0.05

MATERIAL



SCALE: 2:1 REV. A

TITLE: FireWire 6 Pin Panel Mount

DRAWN BY: EK

APPROVED BY:

PART NUMBER: CFR-6

DATE: 9/7/2021

SHEET 1 OF 1

*RoHS compliant product