

NEWNEX PROPRIETARY

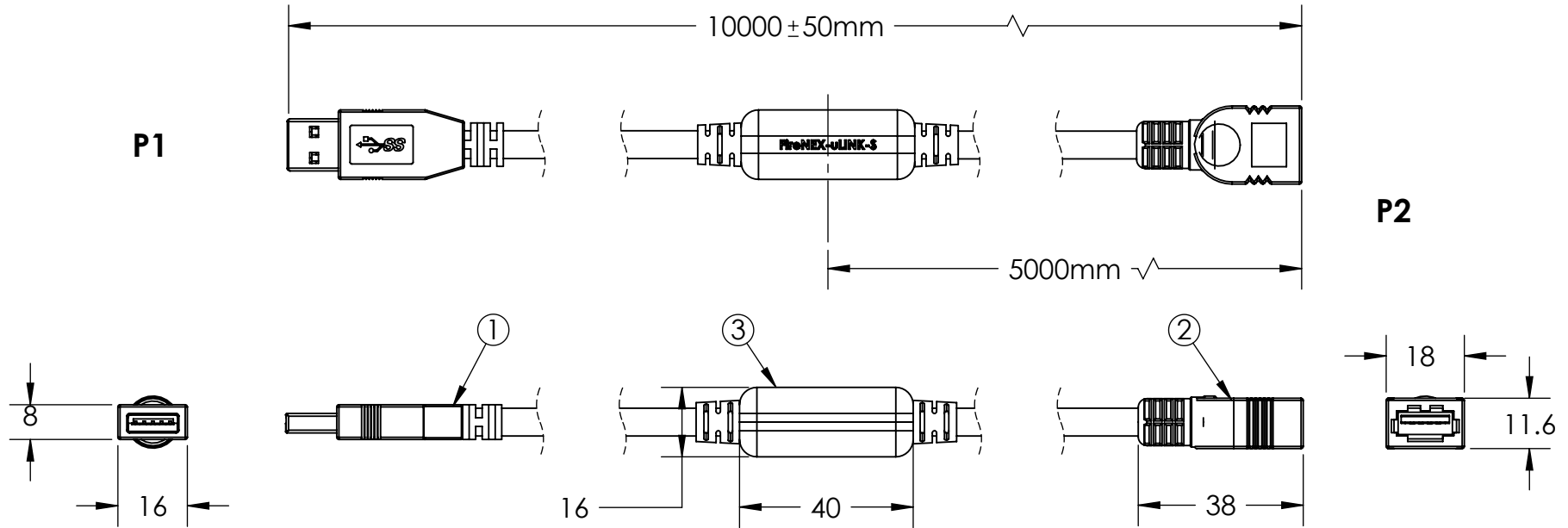
THIS DOCUMENT AND THE DATA DISCLOSED HEREIN OR WITHIN IS NOT TO BE REPRODUCED, USED, OR DISCLOSED IN WHOLE OR PART TO ANYONE WITHOUT THE WRITTEN PERMISSION OF NEWNEX

COMPANY NAME

CUSTOMER SIGNATURE

DATE

COMMENTS:



WIRING STRUCTURE		
P1	SINGAL	P2
1	PWR	1
2	D-	2
3	D+	3
4	GND	4
5	SDP1-	5
6	SDP1+	6
7	DRAIN	7
8	SDP2-	8
9	SDP2+	9
SHELL	BRAID	SHELL

Notes:

1. USB 3.0 A Male Connector
2. USB 3.0 A Female Connector
3. FireNEX-uLINK USB 3.0 Active Repeater
4. Package: 1 Piece + PE Bag

*100% OPEN, SHORT, MISWIRE TESTING
*RoHS compliant product

Newnex Technology Corp.			
UNLESS OTHERWISE SPECIFIED DIMENSIONS ARE IN MILLIMETERS TOLERANCES ARE:		PROJ:	TITLE: FireNEX-uLINK USB 3.0 Active Repeater Cable, A Male to A Female, 10 Meters, Slim Repeater, Black.
FRACTIONS: $\frac{XX}{XX}$	DECIMALS: X.X ± 0.5 XX ± 0.25 XXX ± 0.125	SCALE: 2:3	REV: A
DATE: 4/13/2017	DRAWN BY: XW	CHECKED BY:	APPROVED BY: ZL
PART NUMBER: FIRENEXAMAF10M			SHEET 1 OF 1
REVISION COMMENTS: Drawing generated			