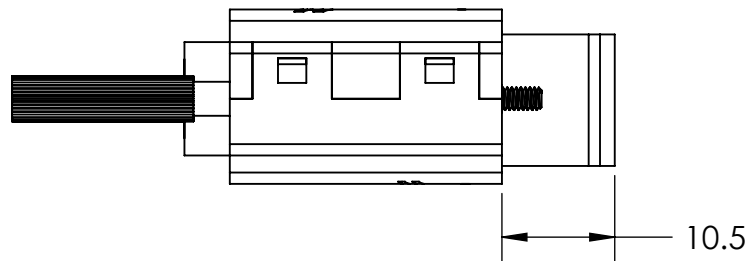
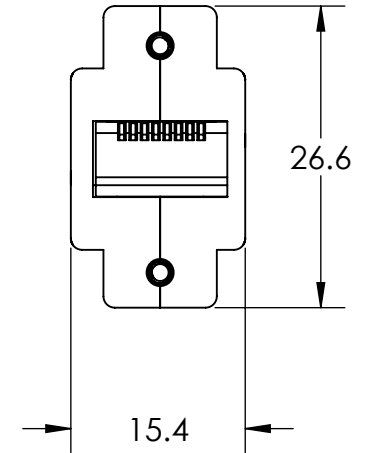
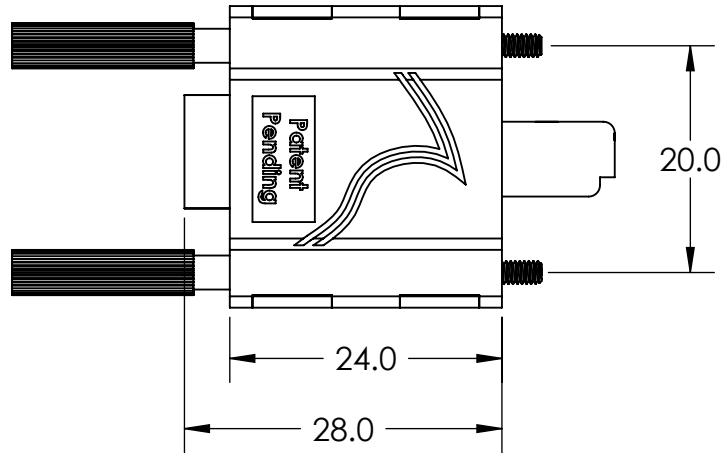


NEWNEX PROPRIETARY

THIS DOCUMENT AND THE DATA DISCLOSED HEREIN OR WITHIN IS NOT TO BE REPRODUCED, USED, OR DISCLOSED IN WHOLE OR PART TO ANYONE WITHOUT THE WRITTEN PERMISSION OF NEWNEX



Newnex Technology Corp.



UNLESS OTHERWISE SPECIFIED
DIMENSIONS ARE IN MILLIMETERS
TOLERANCES ARE:

FRACTIONS DECIMALS ANGLES
± NA X ± 0.5 ± 0.5°

XXX ± 0.125

PROJ
SCALE: 3:2

REV. A

TITLE: GigE Plug Kit Assembly Vertical.

DATE: 3/11/2014

DRAWN BY: KL

APPROVED BY:

PART NUMBER:

CHECKED BY:

SHEET 1 OF 1