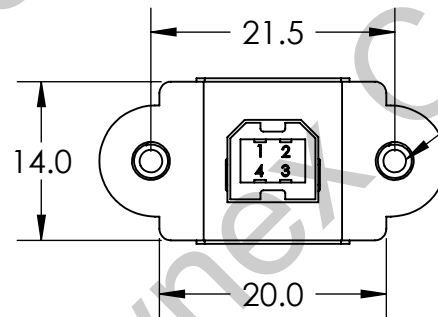
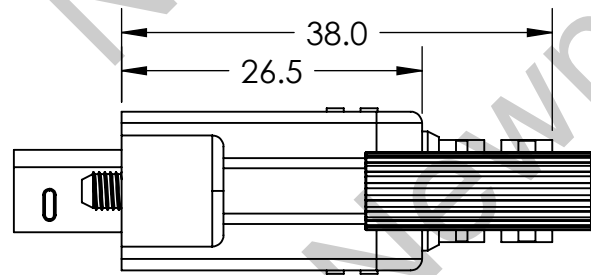
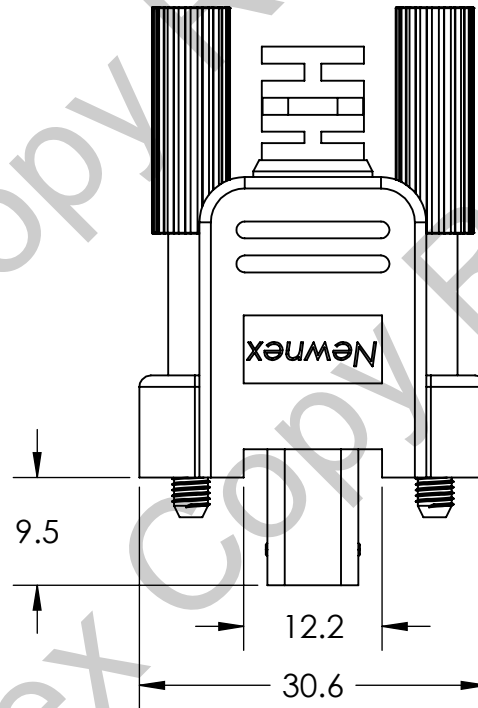
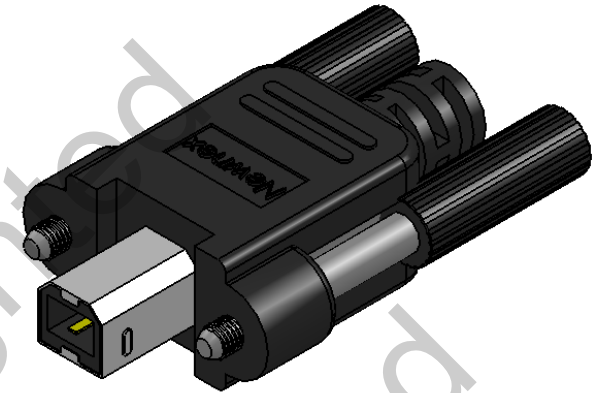


NEWNEX PROPRIETARY

THIS DOCUMENT AND THE DATA DISCLOSED HEREIN OR WITHIN IS NOT TO BE REPRODUCED, USED, OR DISCLOSED IN WHOLE OR PART TO ANYONE WITHOUT THE WRITTEN PERMISSION OF NEWNEX

PN: UH2-BI



2x M3 Locking Screws
or
2x 4-40 Locking Screws

Copyright © Newnex Technology Corp., All Rights Reserved
Units in millimeters