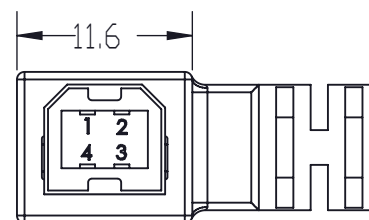
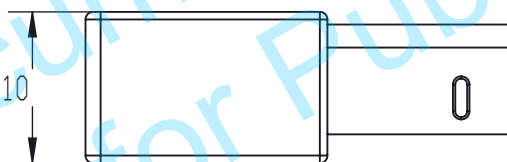
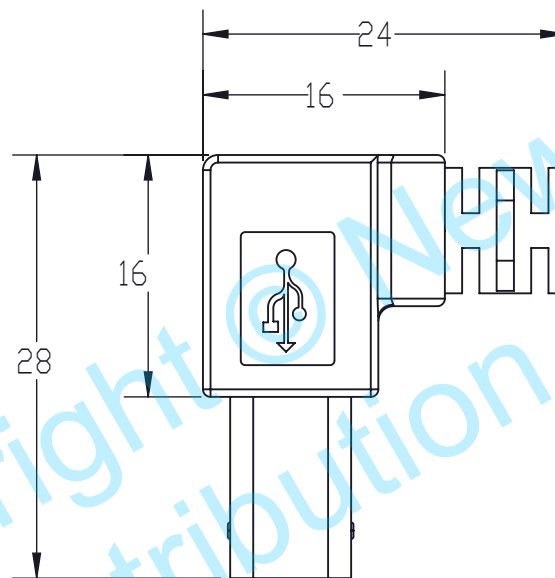


NEWNEX PROPRIETARY

THIS DOCUMENT AND THE DATA DISCLOSED HEREIN OR WITHIN IS NOT TO BE REPRODUCED, USED, OR DISCLOSED IN WHOLE OR PART TO ANYONE WITHOUT THE WRITTEN PERMISSION OF NEWNEX



\*RoHS compliant product

Newnex Technology Corp.



UNLESS OTHERWISE SPECIFIED DIMENSIONS ARE IN MILLIMETERS TOLERANCES ARE:			MATERIAL:		USB 2.0 B Male, Left Angle	
FRACTIONS	DECIMALS	ANGLES	PROJ:	REV:		
± NA	0.1	± 0.5°	2:1	A	DRAWN BY:	APPROVED BY:
UH2-BR3			SCALE:	REV:	I.M.	T.M.
			DATE:	9/1/2011	SHEET 1 OF 1	