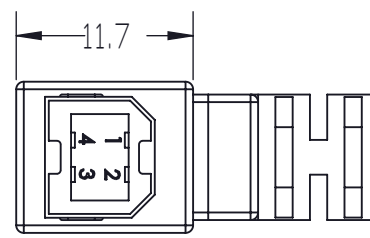
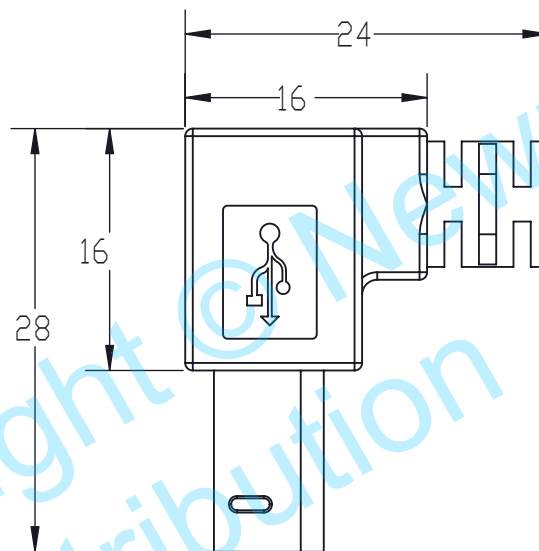


NEWNEX PROPRIETARY

THIS DOCUMENT AND THE DATA DISCLOSED HEREIN OR WITHIN IS NOT TO BE REPRODUCED, USED, OR DISCLOSED IN WHOLE OR PART TO ANYONE WITHOUT THE WRITTEN PERMISSION OF NEWNEX



Newnex Technology Corp.



UNLESS OTHERWISE SPECIFIED DIMENSIONS ARE IN MILLIMETER TOLERANCES ARE:			MATERIAL:		USB 2.0 B Male, Up Angle		
FRACTIONS	DECIMALS	ANGLES	PROJ:	SCALE:			
± NA	0.1	± 0.5°	1st Angle	2:1	REV: A	DRAWN BY: I.M.	APPROVED BY: T.M.
UH2-BR5				DATE: 9/1/2011	SHEET 1 OF 1		

*RoHS compliant product