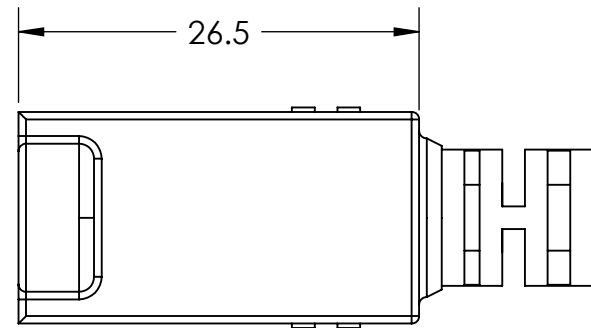
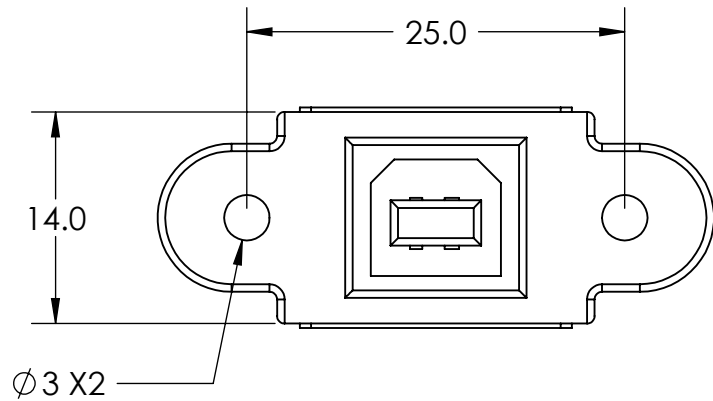
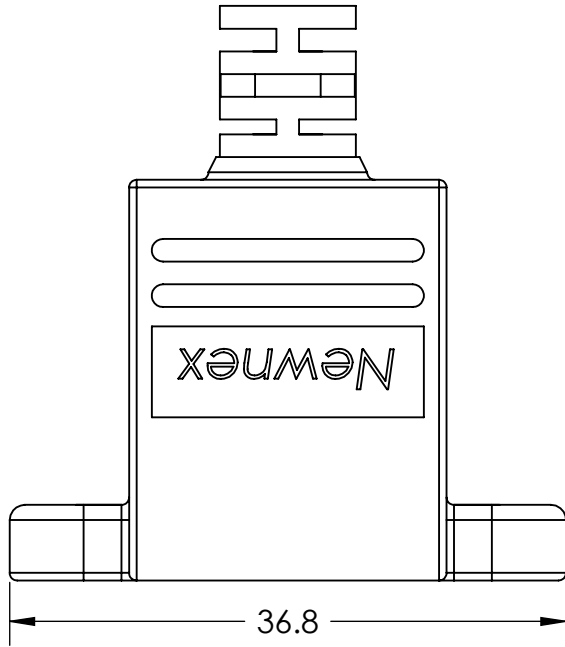


NEWNEX PROPRIETARY

THIS DOCUMENT AND THE DATA DISCLOSED HEREIN OR WITHIN IS NOT TO BE REPRODUCED, USED, OR DISCLOSED IN WHOLE OR PART TO ANYONE WITHOUT THE WRITTEN PERMISSION OF NEWNEX



Newnex Technology Corp.



UNLESS OTHERWISE SPECIFIED DIMENSIONS ARE IN MILLIMETERS TOLERANCES ARE:			PROJ	TITLE: USB 2.0 Panel Mount B Narrow	
FRACTIONS	DECIMALS	ANGLES	SCALE: 2:1	REV. A	DRAWN BY: KL
± NA	X ± 0.5 XX ± 0.25 XXX ± 0.125	± 0.5°	DATE: 12/16/2014		APPROVED BY:
PART NUMBER: UHRSB			CHECKED BY:		SHEET 1 OF 1