

NEWNEX PROPRIETARY

THIS DOCUMENT AND THE DATA DISCLOSED HEREIN OR WITHIN IS NOT TO BE REPRODUCED, USED, OR DISCLOSED IN WHOLE OR PART TO ANYONE WITHOUT THE WRITTEN PERMISSION OF NEWNEX

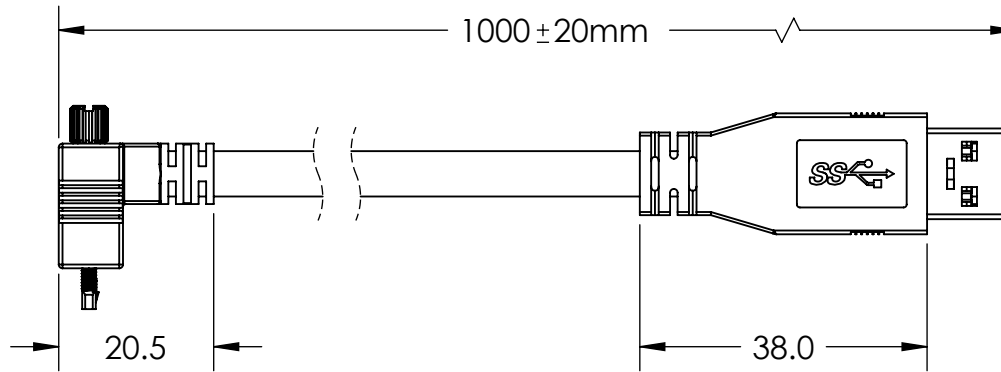
COMPANY NAME

CUSTOMER SIGNATURE

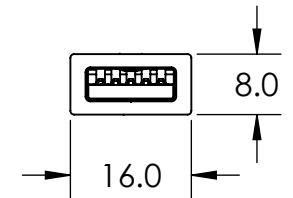
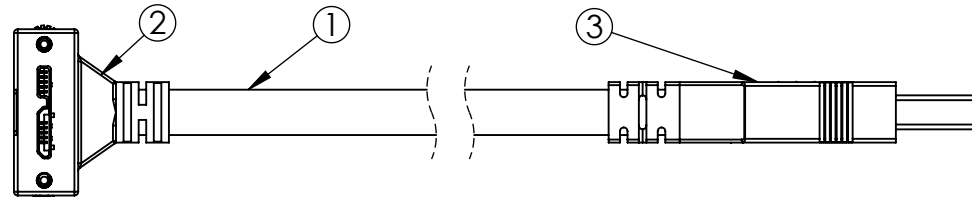
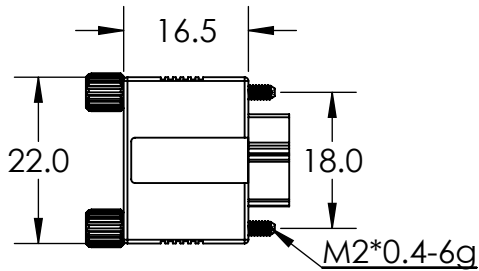
DATE

COMMENTS:

P1



P2



WIRING STRUCTURE

| P1 | SIGNAL | P2 |
|-------|--------|-------|
| 1 | PWR | 1 |
| 2 | D- | 2 |
| 3 | D+ | 3 |
| 5 | GND | 4 |
| 6 | SDP1- | 5 |
| 7 | SDP1+ | 6 |
| 8 | DRAIN | 7 |
| 9 | SDP2- | 8 |
| 10 | SDP2+ | 9 |
| SHELL | BRAID | SHELL |

Notes:

1. Cable: USB 3.0 Black PVC Jacket.
2. Connector: USB 3.0 Angled Micro B Male Locking.
3. Connector: USB 3.0 A Male.
4. Packaging: 1 Piece + PE bag.

Newnex Technology Corp.



UNLESS OTHERWISE SPECIFIED DIMENSIONS ARE IN MILLIMETERS TOLERANCES ARE:

FRACTIONS DECIMALS ANGLES
 # NA XX ± 0.5 ± 0.5°
 .XX ± 0.25 .XX ± 0.125



SCALE: 1:1 REV: A

TITLE: USB 3.0 Angle Micro B Male Locking to A Male, 1m, Black.

DATE: 6/12/2015

DRAWN BY: APPROVED BY:

PART NUMBER: US2-AMCBR3I-1M

CHECKED BY: SHEET 1 OF 1

REVISION COMMENTS:

*100% OPEN, SHORT, MISWIRE TESTING

*RoHS compliant product

*Both shell clam and copper foil have 360 degree contact with braiding

Code: