

**NEWNEX PROPRIETARY**

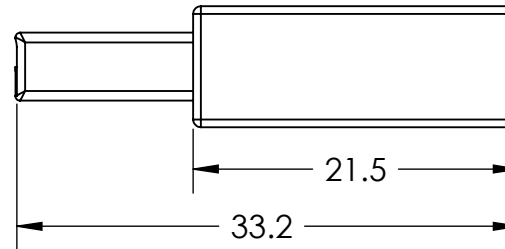
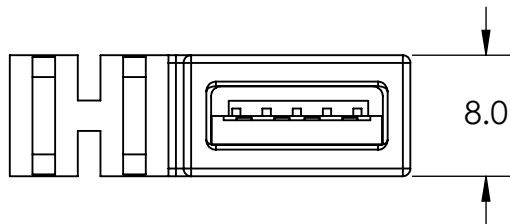
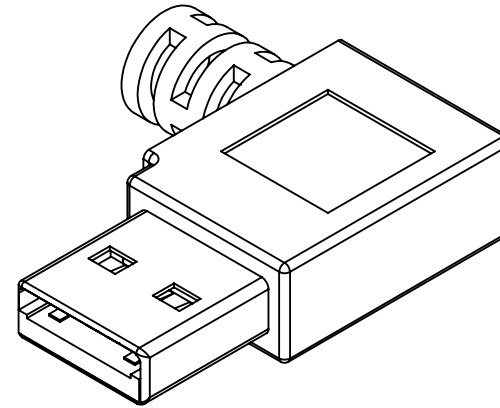
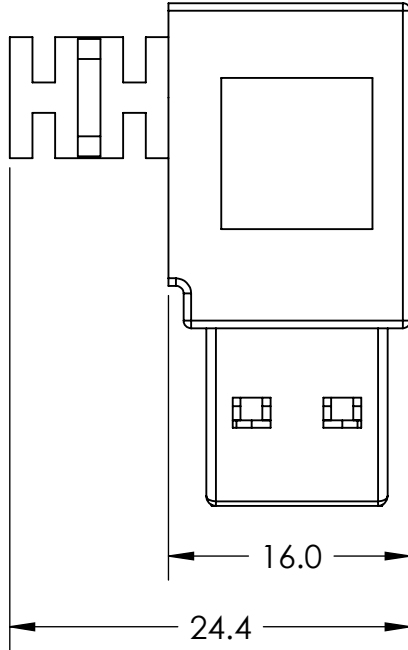
THIS DOCUMENT AND THE DATA DISCLOSED HEREIN OR WITHIN IS NOT TO BE REPRODUCED, USED, OR DISCLOSED IN WHOLE OR PART TO ANYONE WITHOUT THE WRITTEN PERMISSION OF NEWNEX

**COMPANY NAME**

**CUSTOMER SIGNATURE**

**DATE**

**COMMENTS:**



Newnex Technology Corp.



UNLESS OTHERWISE SPECIFIED DIMENSIONS ARE IN MILLIMETERS TOLERANCES ARE:

FRACTIONS DECIMALS ANGLES  
 • NA X± 0.5 ± 0.5°  
 .XX ± 0.25  
 .XXX ± 0.125

PROJ: TITLE: USB 3.0 Angled A Male

SCALE: 1:1 REV: A

DATE: 01/20/2014

DRAWN BY: JL

APPROVED BY: KL

PART NUMBER: US2-AR04

CHECKED BY:

SHEET 1 OF 1

REVISION COMMENTS: Drawing generated