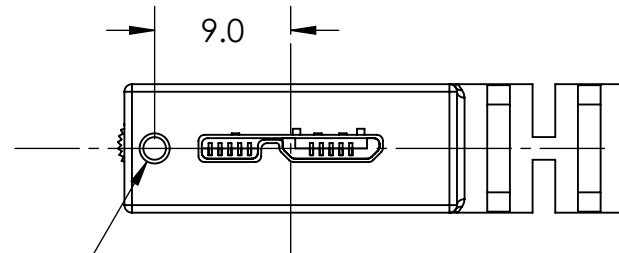
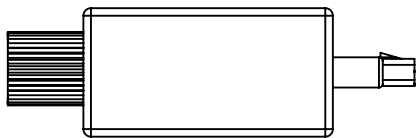
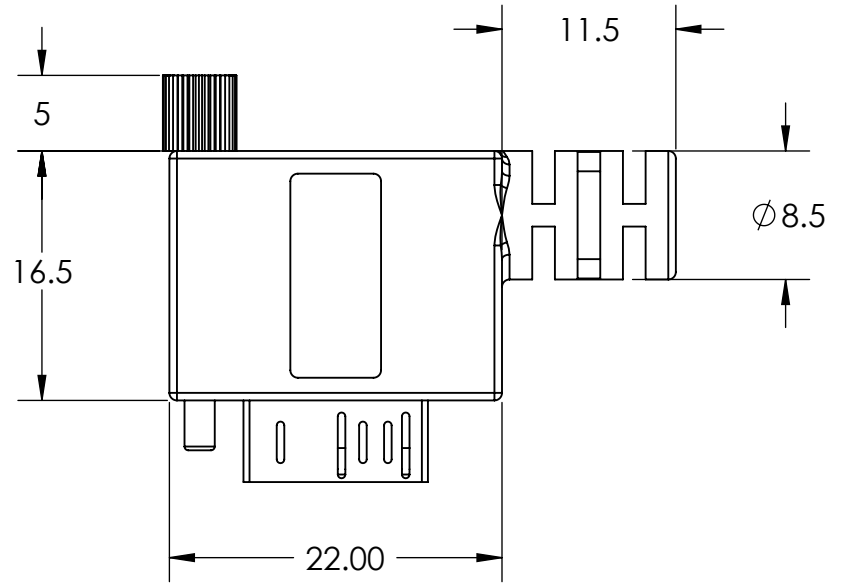
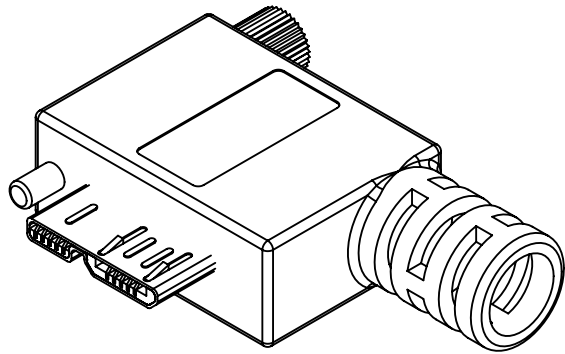


NEWNEX PROPRIETARY

THIS DOCUMENT AND THE DATA DISCLOSED HEREIN OR WITHIN IS NOT TO BE REPRODUCED, USED, OR DISCLOSED IN WHOLE OR PART TO ANYONE WITHOUT THE WRITTEN PERMISSION OF NEWNEX



M2 Screw

*100% OPEN, SHORT, MISWIRE TESTING
*RoHS compliant product

Newnex Technology Corp.



UNLESS OTHERWISE SPECIFIED DIMENSIONS ARE IN MILLIMETERS TOLERANCES ARE:			MATERIAL		TITLE: USB 3.0 Angled Micro B Male, left angle	
FRACTIONS	DECIMALS	ANGLES	PROJ	SCALE:	REV.	DRAWN BY: CW
± NA	± 0.2	± 0.5°	1	1:1	A	APPROVED BY: TM
PART NUMBER: US2-MC BR21			DATE: 7/7/2011		SHEET 1 OF 1	