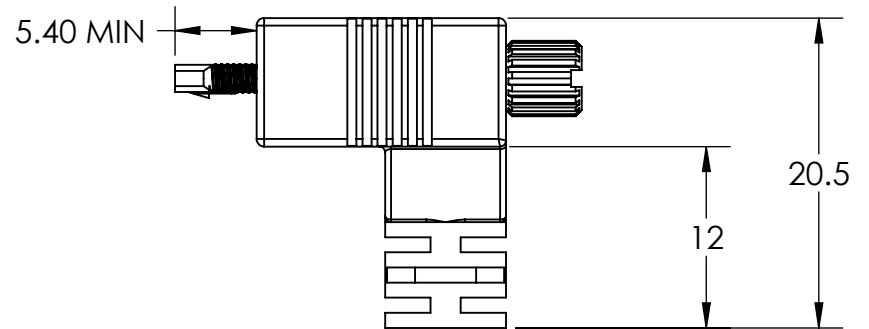
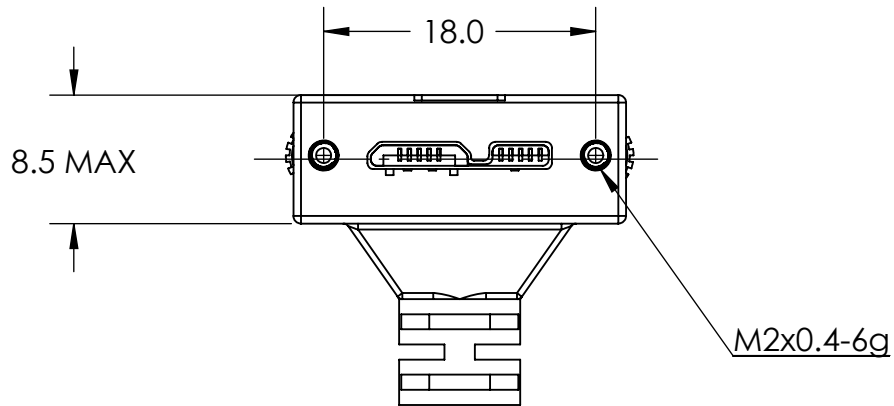
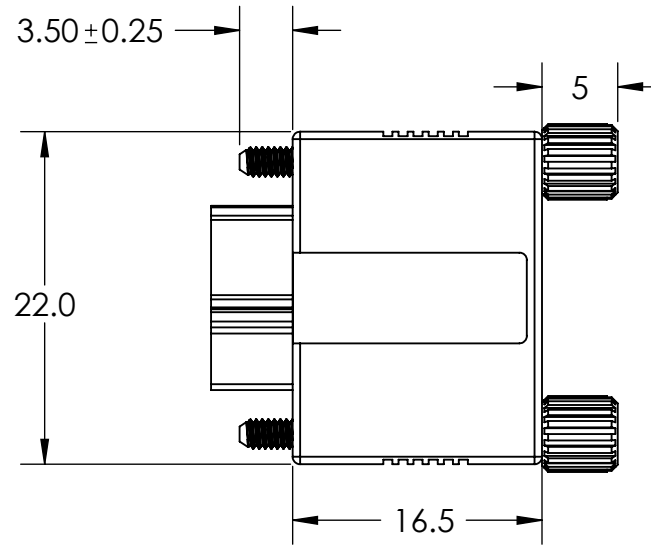
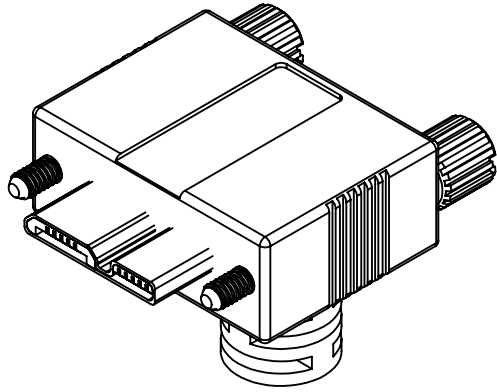


**NEWNEX PROPRIETARY**

THIS DOCUMENT AND THE DATA DISCLOSED HEREIN OR WITHIN IS NOT TO BE REPRODUCED, USED, OR DISCLOSED IN WHOLE OR PART TO ANYONE WITHOUT THE WRITTEN PERMISSION OF NEWNEX



Newnex Technology Corp.



UNLESS OTHERWISE SPECIFIED  
DIMENSIONS ARE IN MILLIMETERS  
TOLERANCES ARE:

FRACTIONS DECIMALS ANGLES  
± NA X ± 0.5 ± 0.5°

XX ± 0.25  
XXX ± 0.125



SCALE: 1:1

REV: A

DATE: 02/12/2018

TITLE: USB 3.0 Angled Micro B with Locking Screws

DRAWN BY: XW

APPROVED BY:

PART NUMBER: US2-MCBR3I

DRAWN BY:

SHEET 1 OF 1