

NEWNEX PROPRIETARY

THIS DOCUMENT AND THE DATA DISCLOSED HEREIN OR WITHIN IS NOT TO BE REPRODUCED, USED, OR DISCLOSED IN WHOLE OR PART TO ANYONE WITHOUT THE WRITTEN PERMISSION OF NEWNEX

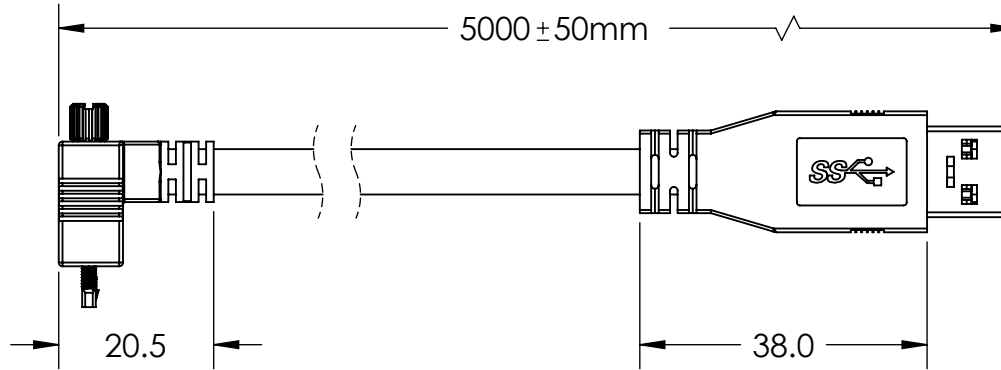
COMPANY NAME

CUSTOMER SIGNATURE

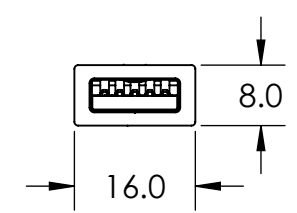
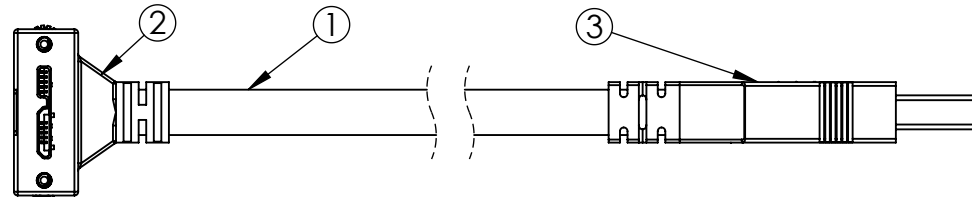
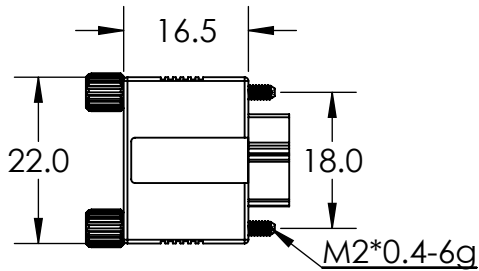
DATE

COMMENTS:

P1



P2



WIRING STRUCTURE

P1	SIGNAL	P2
1	PWR	1
2	D-	2
3	D+	3
5	GND	4
6	SDP1-	5
7	SDP1+	6
8	DRAIN	7
9	SDP2-	8
10	SDP2+	9
SHELL	BRAID	SHELL

Notes:

1. Cable: USB 3.0 Black PVC Jacket.
2. Connector: USB 3.0 Angled Micro B Male Locking.
3. Connector: USB 3.0 A Male.
4. Packaging: 1 Piece + PE bag.

Newnex Technology Corp.



UNLESS OTHERWISE SPECIFIED DIMENSIONS ARE IN MILLIMETERS TOLERANCES ARE:

FRACTIONS DECIMALS ANGLES
 # NA XX ± 0.5 ± 0.5°
 .XX ± 0.25 .XX ± 0.125



SCALE: 1:1 REV: A

TITLE: USB 3.0 Angle Micro B Male Locking to A Male, 5m, Black.

DATE: 6/12/2015

DRAWN BY: APPROVED BY:

PART NUMBER: US226AMCBR3I5M

CHECKED BY: SHEET 1 OF 1

REVISION COMMENTS:

Code: