

NEWNEX PROPRIETARY

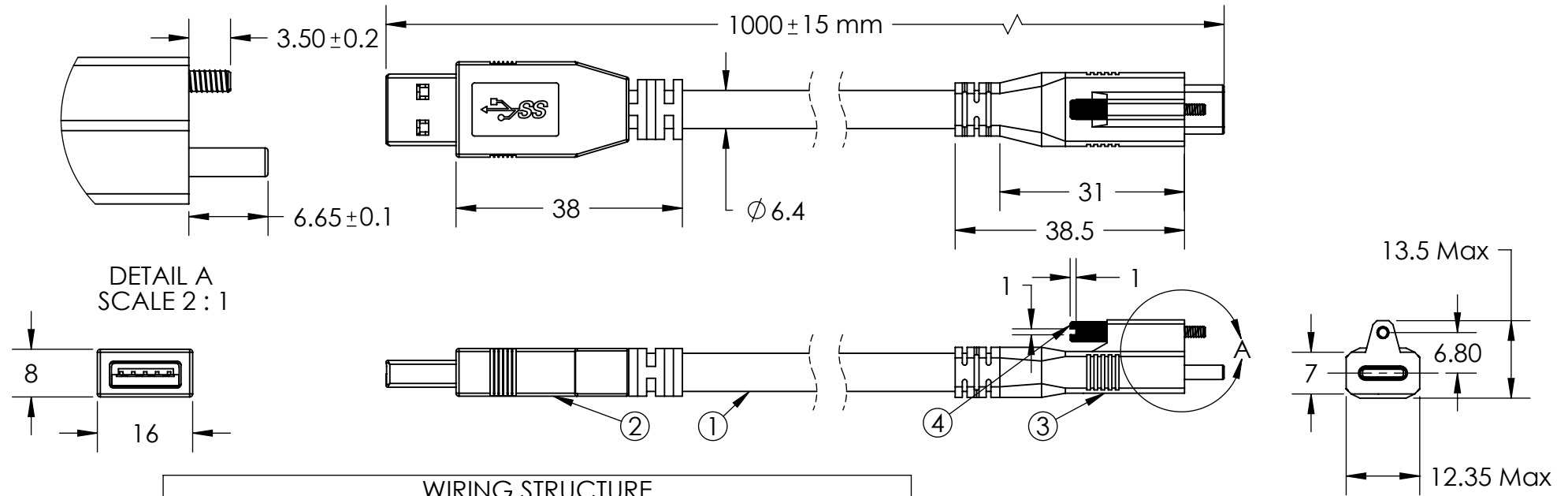
THIS DOCUMENT AND THE DATA DISCLOSED HEREIN OR WITHIN IS NOT TO BE REPRODUCED, USED, OR DISCLOSED IN WHOLE OR PART TO ANYONE WITHOUT THE WRITTEN PERMISSION OF NEWNEX

COMPANY NAME

CUSTOMER SIGNATURE

DATE

COMMENTS:



WIRING STRUCTURE

USB Type-C Plug		Wire		USB 3.0 A Plug	
Pin	Signal Name	Wire Number	Signal Name	Pin	Signal Name
A1,B1, A12,B12	GND	1, 7, 10	GND, SDP1_DRAIN, SDP2_DRAIN	4,7	GND, GND_DRAIN
A4,B4, A9,B9	VBUS	2	PWR_VBUS1	1	VBUS
A5	CC				
B5	VCONN				
A6	Dp1	3	UTP_Dp	3	D+
A7	Dn1	4	UTP_Dn	2	D-
A2	SSTXp1	5	SDPp1	6	StdA_SSRX+
A3	SSTXn1	6	SDPn1	5	StdA_SSRX-
B11	SSRXp1	8	SDPp2	9	StdA_SSTX+
B10	SSRXn1	9	SDPn2	8	StdA_SSTX-
SHELL	Shield	Braid	Shield	SHELL	Shield

Rp=56KΩ

Notes:

1. Cable: USB 3.1 Gen 1, Black PVC Jacket
2. Connector: USB 3.1 Gen 1 A Male
3. Connector: USB 3.1 Gen 1 Type-C Male with Rp with Single Screw Locking Contact Plate: Au 30u" min.
4. M2 Screw
5. Temperature Rating: -20°C to 80°C
6. Packaging: 1 Piece + PE bag.

Newnex Technology Corp.

UNLESS OTHERWISE SPECIFIED DIMENSIONS ARE IN MILLIMETERS TOLERANCES ARE:	PROJ:	TITLE: USB 3.1 Gen 1 A Male to C Male with Single screw locking, 1M, Black	
FRACTIONS: XX ± 0.5 DECIMALS: XX ± 0.25 ANGLES: XX ± 0.125	SCALE: 1:1	REV: G	DATE: 6/13/2016
PART NUMBER: U3S1A01C14-010	DRAWN BY: ZL	APPROVED BY: HX	SHEET 1 OF 1
REVISION COMMENTS: Drawing generated			