

NEWNEX PROPRIETARY

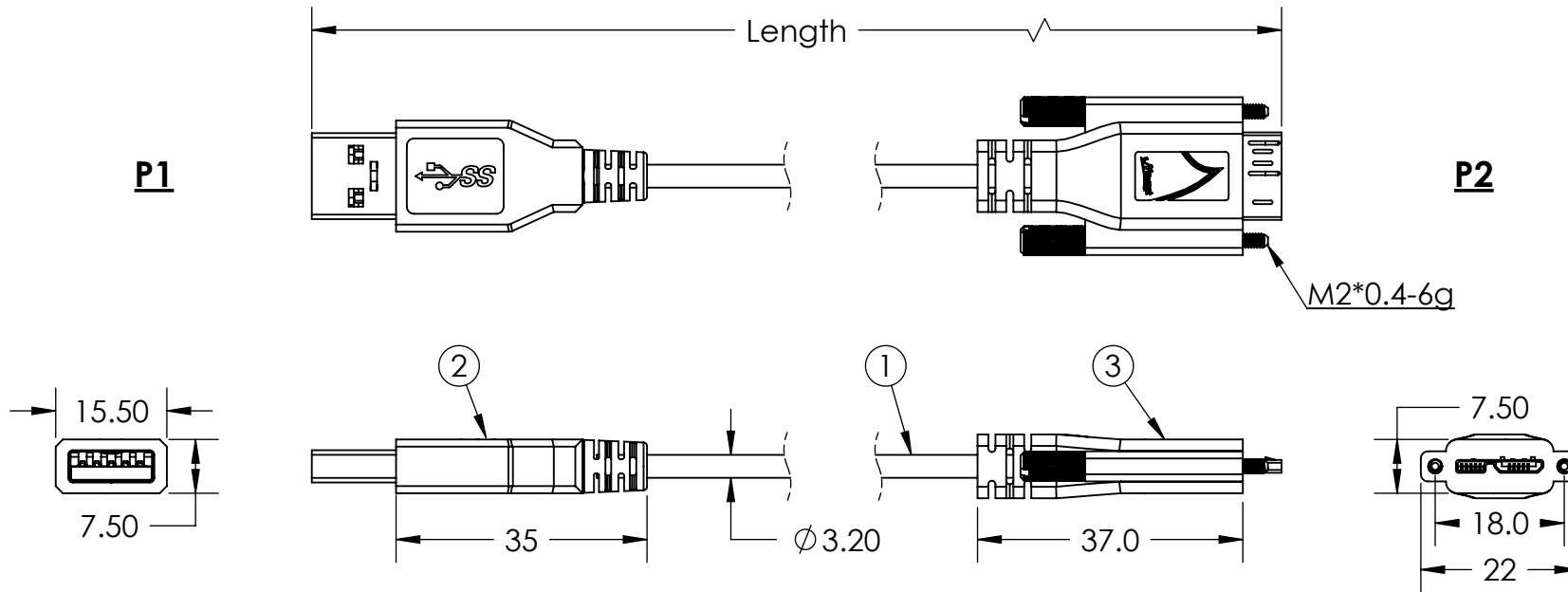
THIS DOCUMENT AND THE DATA DISCLOSED HEREIN OR WITHIN IS NOT TO BE REPRODUCED, USED, OR DISCLOSED IN WHOLE OR PART TO ANYONE WITHOUT THE WRITTEN PERMISSION OF NEWNEX

COMPANY NAME

CUSTOMER SIGNATURE

DATE

COMMENTS:



WIRING STRUCTURE

P1	SIGNAL	P2
1	PWR	1
2	D-	2
3	D+	3
4	GND	5
5	SDP1-	6
6	SDP1+	7
7	DRAIN	8
8	SDP2-	9
9	SDP2+	10
SHELL	BRAID	SHELL

Notes:

1. Cable: USB 3.2 Slim, Black PVC Jacket.
2. Connector: USB 3.2 A Male Slim.
3. Connector: USB 3.2 Micro B Male Locking.
4. Packaging: 1 Piece + PE bag.

Newnex Technology Corp.



UNLESS OTHERWISE SPECIFIED DIMENSIONS ARE IN MILLIMETERS TOLERANCES ARE:

FRACTIONS DECIMALS ANGLES
 # NA XX ± 0.2 XX ± 0.10 XX ± 0.050

PROJ: [Symbol] TITLE:

SCALE: 1:1 REV. A

TITLE: USB 3.2 Slim Cable, A Male to Micro B Male Dual Screw Locking, Black.

DATE: 4/9/2026

DRAWN BY: XW

APPROVED BY:

PART NUMBER: U3S7AS1MCI-XX

CHECKED BY:

SHEET 1 OF 1

*100% OPEN, SHORT, MISWIRE TESTING

*RoHS compliant product

*Both shell clam and copper foil have 360 degree contact with braiding

Drawing generated