

NEWNEX PROPRIETARY

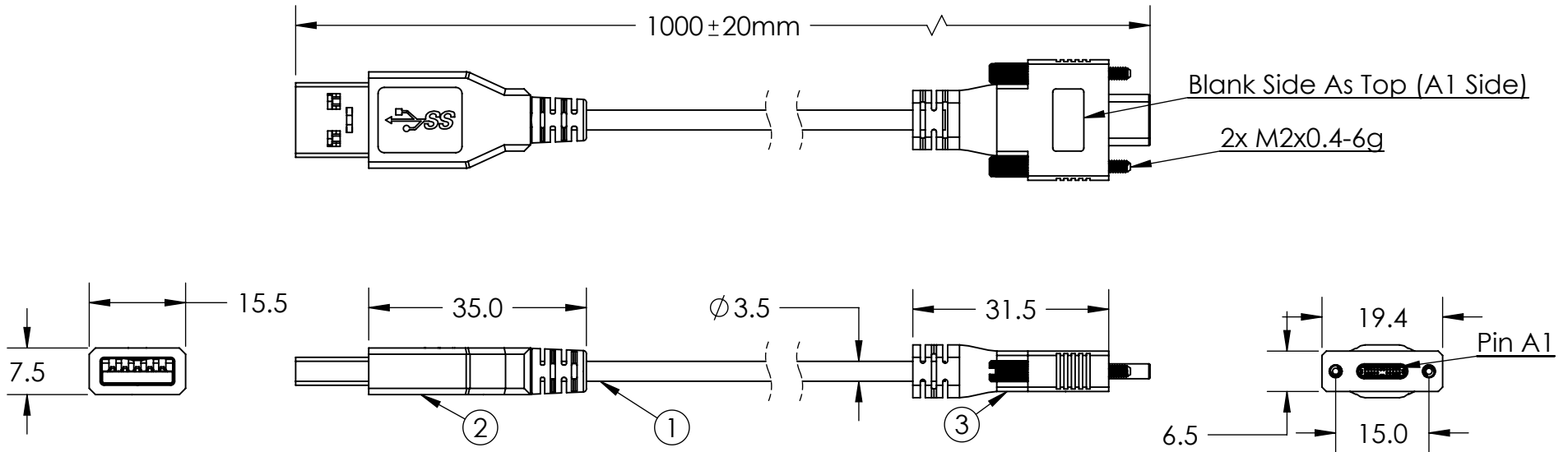
THIS DOCUMENT AND THE DATA DISCLOSED HEREIN OR WITHIN IS NOT TO BE REPRODUCED, USED, OR DISCLOSED IN WHOLE OR PART TO ANYONE WITHOUT THE WRITTEN PERMISSION OF NEWNEX

COMPANY NAME

CUSTOMER SIGNATURE

DATE

COMMENTS:



WIRING STRUCTURE		
USB A	Wire	USB Type-C
Pin	Signal Name	Pin
4,7	GND,DRAIN, SHELL	A1,B1, A12,B12
1	PWR_VBUS1	A4,B4,A9,B9
-	CC	A5
3	UTP_Dp	A6
2	UTP_Dn	A7
6	SDPp1	A2
5	SDPn1	A3
9	SDPp2	B11
8	SDPn2	B10

Rp=56K

Notes:

- Cable:** USB 3.2 Thin Cable, OD: 3.5mm, Black. 100% Braid + extra layer shielding
- Connector:** USB A Male, with extra 360° Copper tape coverage.
- Connector:** USB 3.2 Type-C Male Dual Screw Locking, with extra 360° Copper tape coverage.
- Packaging:** 1 Piece + PE bag.

Newnex Technology Corp.



UNLESS OTHERWISE SPECIFIED DIMENSIONS ARE IN MILLIMETERS TOLERANCES ARE:

FRACTIONS DECIMALS ANGLES
 ±NA X± 0.5 ±0.5°
 XX± 0.25
 .XX± 0.125

PROJ: [Symbol] SCALE: 1:1 REV: A

TITLE: Enhanced Shielding USB 3.2 Thin Cable, A Male to USB-C Male Dual Screw Locking, 1m, Black.

DATE: 4/3/2026

DRAWN BY: ZL

APPROVED BY:

PART NUMBER: U3SFAS1C12N010

CHECKED BY:

SHEET 1 OF 1

REVISION COMMENTS: Drawing generated

*100% OPEN, SHORT, MISWIRE TESTING

*RoHS compliant product

*Both shell clam and copper foil have 360 degree contact with braiding