

NEWNEX PROPRIETARY

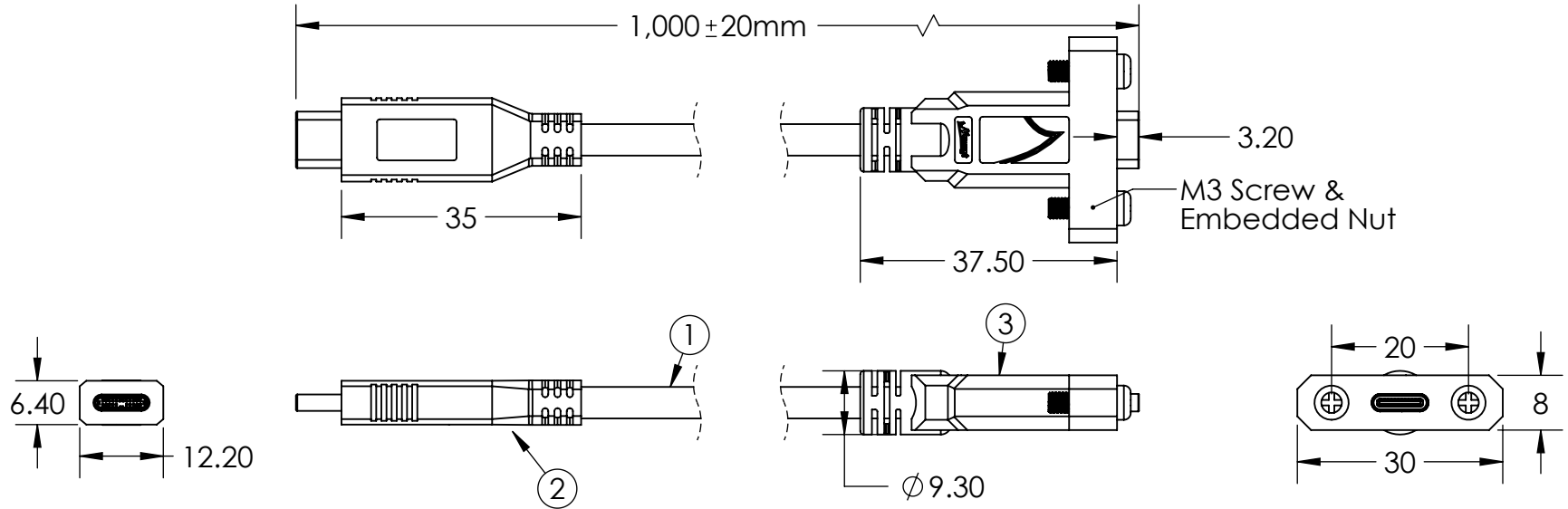
THIS DOCUMENT AND THE DATA DISCLOSED HEREIN OR WITHIN IS NOT TO BE REPRODUCED, USED, OR DISCLOSED IN WHOLE OR PART TO ANYONE WITHOUT THE WRITTEN PERMISSION OF NEWNEX

COMPANY NAME

CUSTOMER SIGNATURE

DATE

COMMENTS:



WIRING STRUCTURE

USB Type-C Male		WIRE		USB Type-C Female	
PIN	SIGNAL	Wire Number	SIGNAL	PIN	SIGNAL
A1, B1, A12, B12	GND	1	GND_PWRrt	A1, B1, A12, B12	GND
A4, B4, A9, B9	VBUS	2	PWR_Vbus	A4, B4, A9, B9	VBUS
A5	CC	3	CC	A5	CC
B5	VCONN	16	PWR_Vconn	B5	VCONN
A6	Dp1	4	UTP_Dp	A6, B6	Dp1
A7	Dn1	5	UTP_Dn	A7, B7	Dn1
A2	SSTXp1	6	SDPp1	A2	SSRXp1
A3	SSTXn1	7	SDPn1	A3	SSRXn1
B11	SSRXp1	8	SDPp2	B11	SSTXp1
B10	SSRXn1	9	SDPn2	B10	SSTXn1
B2	SSTXp2	10	SDPp3	B2	SSRXp2
B3	SSTXn2	11	SDPn3	B3	SSRXn2
A11	SSRXp2	12	SDPp4	A11	SSTXp2
A10	SSRXn2	13	SDPn4	A10	SSTXn2
A8	SBU1	14	SBU_A	A8	SBU1
B8	SBU2	15	SBU_B	B8	SBU2
SHELL	Shield	Braid	Shield	SHELL	Shield

Notes:

1. Cable: USB 3.1 Full Feature Cable.
2. Connector: USB 3.1 Type C Male.
3. Connector: USB 3.1 Type C Female Panel Mout.
4. Packaging: 1 Piece + PE bag.

Newnex Technology Corp.



UNLESS OTHERWISE SPECIFIED DIMENSIONS ARE IN MILLIMETERS TOLERANCES ARE:

FRACTIONS DECIMALS ANGLES
 ± NA XX ± 0.10 ± 0.5°
 XXX ± 0.050

PROJ: [Symbol] TITLE: USB 3.1 Type C Male to Type C Female, 1m, Black.

SCALE: 1:1 REV: A

DATE: 1/15/2024

DRAWN BY: XW

APPROVED BY: HX

PART NUMBER: U4S5C01C08-010

CHECKED BY: SHEET 1 OF 1

*100% OPEN, SHORT, MISWIRE TESTING

*RoHS compliant product