

**NEWNEX PROPRIETARY**

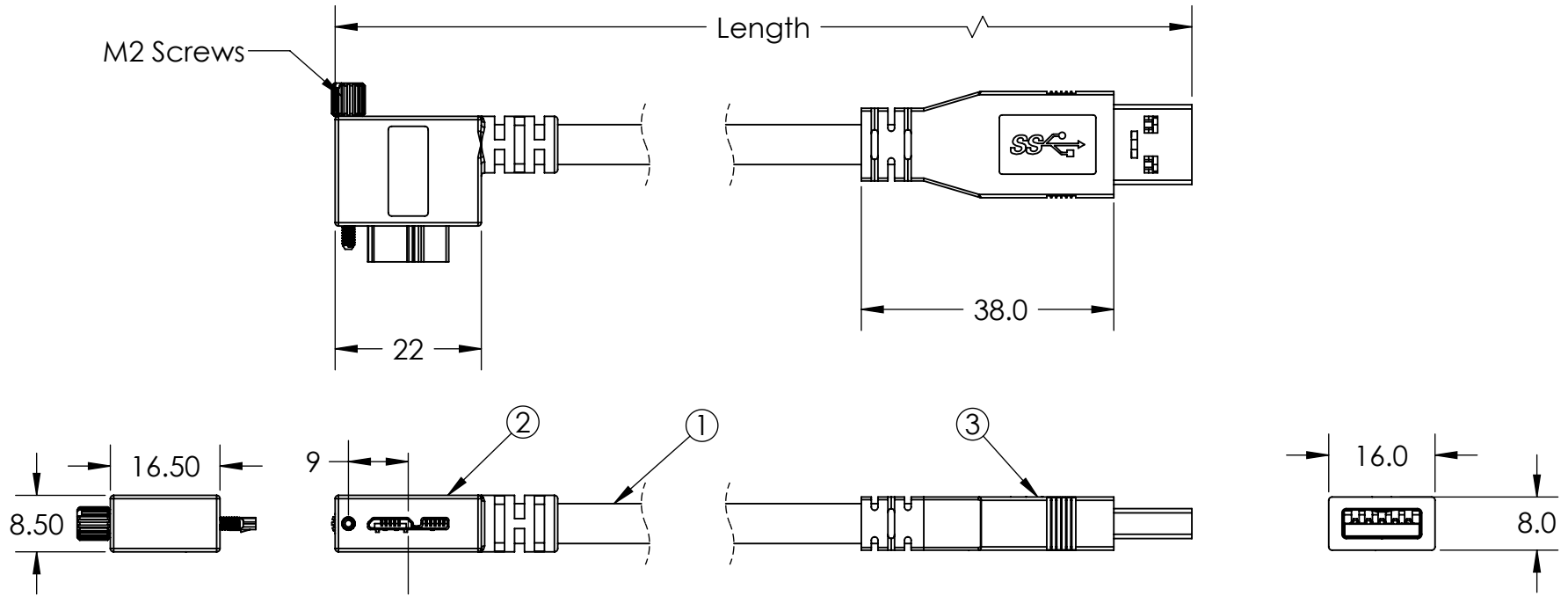
THIS DOCUMENT AND THE DATA DISCLOSED HEREIN OR WITHIN IS NOT TO BE REPRODUCED, USED, OR DISCLOSED IN WHOLE OR PART TO ANYONE WITHOUT THE WRITTEN PERMISSION OF NEWNEX

**COMPANY NAME**

**CUSTOMER SIGNATURE**

**DATE**

**COMMENTS:**



**WIRING STRUCTURE**

P1	SIGNAL	P2
1	PWR	1
2	D-	2
3	D+	3
4	GND	5
5	SDP1-	6
6	SDP1+	7
7	DRAIN	8
8	SDP2-	9
9	SDP2+	10
SHELL	BRAID	SHELL

**Notes:**

1. Cable: USB 3.2 Black PVC Jacket.
2. Connector: USB 3.2 Angled Micro B Male Locking.
3. Connector: USB 3.2 A Male.
4. Packaging: 1 Piece + PE bag.

Newnex Technology Corp.



UNLESS OTHERWISE SPECIFIED DIMENSIONS ARE IN MILLIMETERS TOLERANCES ARE:

FRACTIONS DECIMALS ANGLES  
 # NA XX ± 0.5 ± 0.5°  
 .XX ± 0.25  
 .XXX ± 0.125



SCALE: 1:1  
 REV: A

TITLE: USB 3.2 Angled Micro B Male Locking to A Male, Black.

DATE: 4/9/2026

DRAWN BY: XW

APPROVED BY:

PART NUMBER: US2-AMCBR4I-XX

CHECKED BY:

SHEET 1 OF 1

REVISION COMMENTS: Drawing generated

\*100% OPEN, SHORT, MISWIRE TESTING;  
 \*RoHS COMPLIANT PRODUCT;  
 \*BOTH SHELL CLAM AND COPPER FOIL HAVE 360 DEGREE CONTACT WITH BRAIDING;